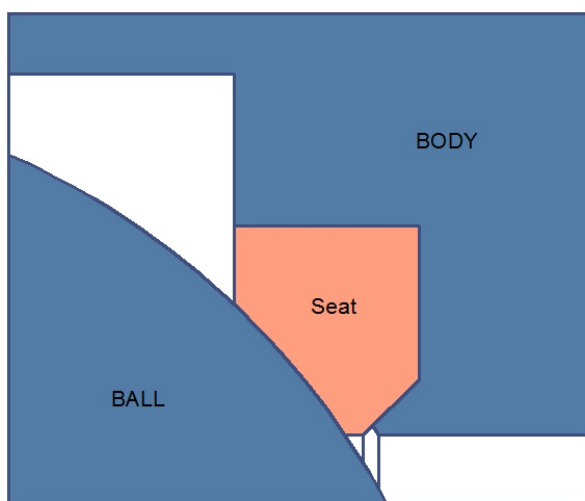




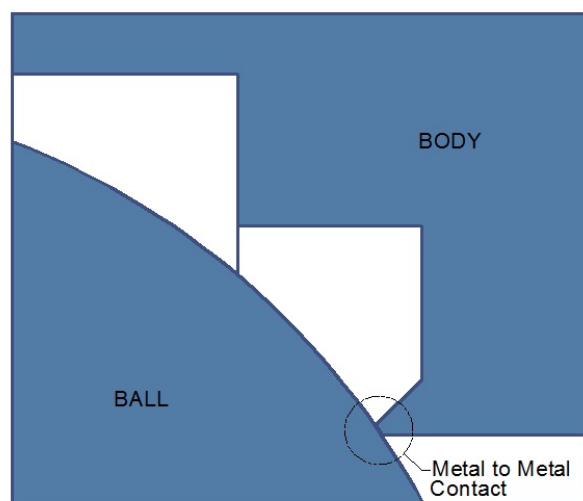
Full Bore Ball Valve

QuickFlo

| | |
|----------------|---|
| Body Type | : Two / Three Piece Design |
| Body Material | : All Castable Alloy Material |
| End Connection | : Flanged / Socket / Buttweld |
| Bonnet | : Standard / Extended / Cryogenic |
| Gland Packing | : PTFE, Braided PTFE, Grafoil, Vacuum |
| Gasket | : PTFE, Spiral Grafoil, Glass Filled SS |
| Seat Ring | : Clamped-in self aligned Bu-directional Fleet-loc seal |
| Ball | : Full & Reduced bore ball, S.S. 304 / 316 / 304L / 316L / HastelloyC |
| Shaft | : Splined- No lost motion or dead band Stainless Steel / 17-4PH |
| Charactristics | : On-Off / approximate throttling with Positioner |
| Actuator | : Spring Cylinder Rotary, Fully field reversible |
| Air Pressure | : 2.0 to 10.0 Bar |
| Shut off class | : ANSI VI with Teflon Seat |



Before Fire



After Fire

QuickFlo

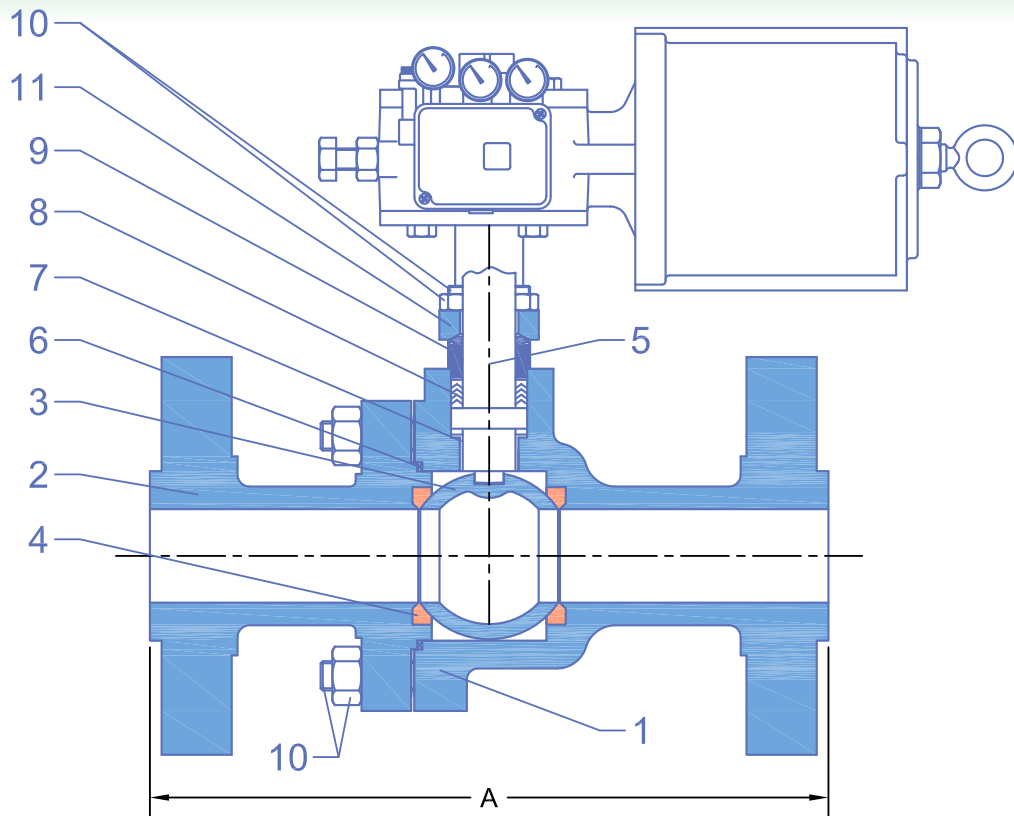


Fig. 1

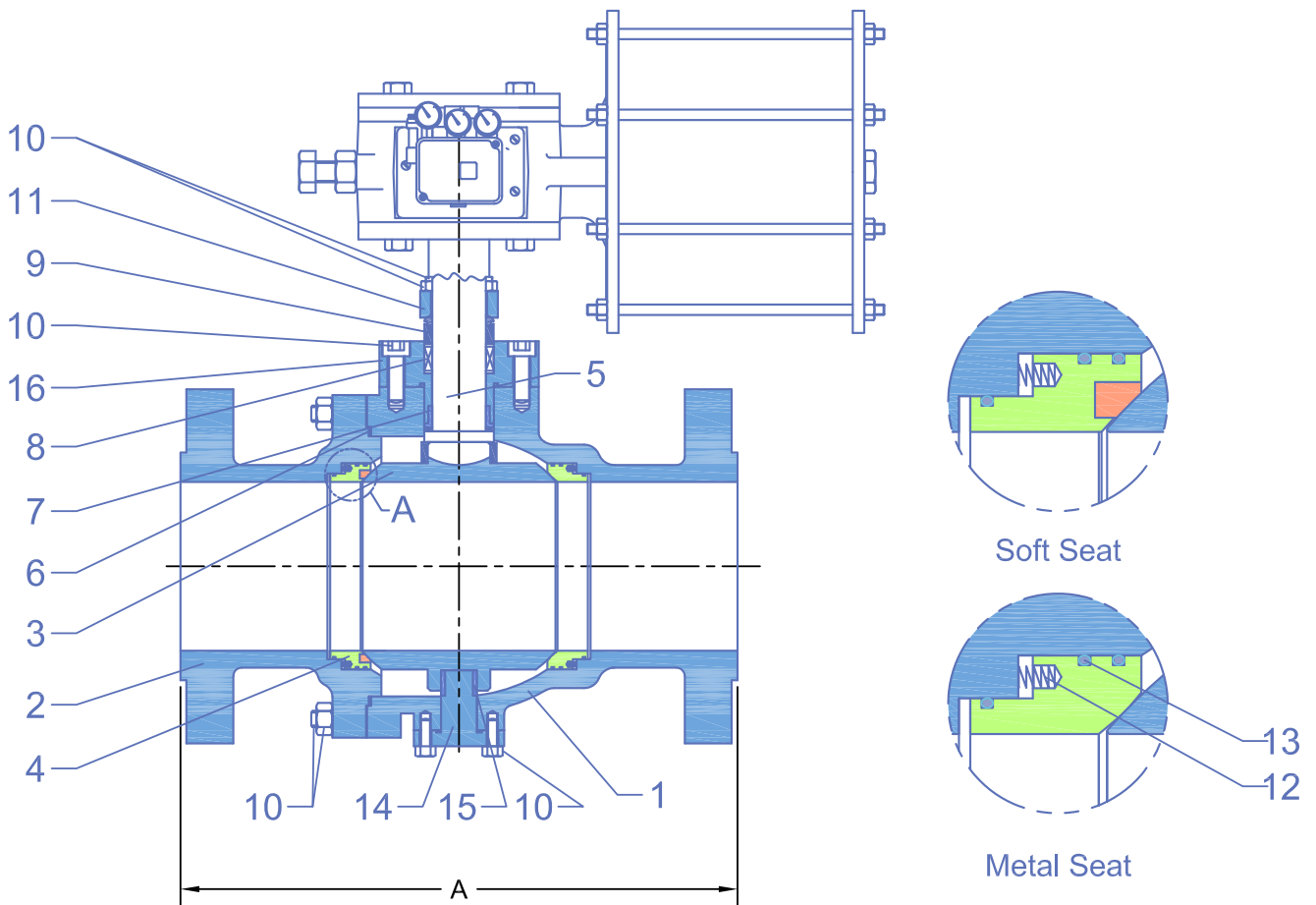


Fig. 2

Details A

Fig. 1 - up to 6"
 Fig. 2 - 8" and above

QuickFlo

| Nos. | Part Name | Material |
|------|-----------------|---|
| 1 | BODY | 316 Stainless Steel, Carbon Steel |
| 2 | END PIECE | 316 Stainless Steel, Carbon Steel |
| 3 | BALL | 316 Stainless Steel |
| 4 | SEAT | Glass Filled Teflon, Teflon |
| 5 | STEM / SHAFT | 17-4PH, 316 Stainless Steel |
| 6 | BODY GASKET | PTFE |
| 7 | BEARING | Glass Filled Teflon, Teflon |
| 8 | GLAND PACKING | Teflon V-ring, Teflon / Glass filled V-ring, Graphoil, Non-asbestos braided |
| 9 | GLAND BUSH | Stainless Steel |
| 10 | STUD & NUT | ASTM A 193 GR. B7 / A194 GR. 2H, ASTM A 193 GR. B8 / A 194 GR. 8 |
| 11 | GLAND FLANGE | Stainless Steel |
| 12 | SPRING | Spring Steel |
| 13 | O-ring | Nitrile , EPDM , Viton |
| 14 | TRUNION | 316 Stainless Steel, Carbon Steel |
| 15 | TRUNION BEARING | Glass Filled Teflon, Teflon , Bronze |
| 16 | BONNET(HOUSING) | 316 Stainless Steel, Carbon Steel |

| Size(NB) | 15 | 20 | 25 | 32 | 40 | 50 | 65 | 80 | 100 | 150 | 200 | |
|----------|-------|-----|-----|-----|-----|-----|-----|-----|-----|-----|-----|------|
| A | 150# | 108 | 117 | 127 | 140 | 165 | 178 | 190 | 203 | 229 | 267 | 292 |
| | 300# | 140 | 152 | 165 | 178 | 190 | 216 | 241 | 282 | 305 | 403 | 419 |
| | 600# | 165 | 190 | 216 | 229 | 241 | 292 | 330 | 356 | 432 | 559 | 660 |
| | 900# | -- | -- | 254 | 279 | 305 | 368 | 419 | 381 | 457 | 610 | 737 |
| | 1500# | -- | -- | 254 | 279 | 305 | 368 | 419 | 470 | 546 | 705 | 832 |
| | 2500# | -- | -- | -- | -- | -- | 451 | 508 | 578 | 673 | 914 | 1022 |

| Size(NB) | 250 | 300 | 350 | 400 | 450 | 500 | 600 |
|----------|-------|------|------|------|------|------|------|
| A | 150# | 330 | 610 | 686 | 762 | 864 | 1067 |
| | 300# | 457 | 648 | 762 | 838 | 914 | 1143 |
| | 600# | 787 | 838 | 889 | 991 | 1092 | 1194 |
| | 900# | 838 | 965 | 1029 | 1130 | 1219 | 1321 |
| | 1500# | 991 | 1130 | 1257 | 1384 | -- | -- |
| | 2500# | 1270 | 1422 | -- | -- | -- | -- |