

FEATURES

- Safety pattern type
- All stainless steel system
- Dry / liquid filled
- CE marking

APPLICATION

- Oil & Gas applications
- High pressure applications
- Corrosive & Hazardous environments

Solid Front With Full Blow-out Back



STANDARD PARAMETERS

Accuracy	:	CL 1.0
Ambient temperature	:	-40...+65°C (without dampening liquid)
	:	-20...+65°C (with dampening liquid)
Service temperature	:	300°C max.
Pressure limits	:	Steady pressure up to FS value
	:	Fluctuating pressure up to 90% of FS value
	:	Short time 1.3 x FS value for range up to 100 bar
	:	Short time 1.15 x FS value for range above 100 bar
Weld joints	:	TIG argon arc welding

MATERIAL OF CONSTRUCTION

Sensing element	:	Bourdon Tube (<100 bar : C - type , >100 bar : Helical)
Case & Ring material	:	AISI 304 SS (Bayonet type)
Bourdon tube & Shank	:	AISI 316L SS (Shank welded directly to case)
Movement mechanism	:	AISI 304 SS
Dial	:	Aluminum, black graduation on white background
Pointer	:	Micro-zero adjustable, aluminum, black powder coated
Gaskets & filling plug	:	Neoprene
Window	:	Shatterproof safety glass
Blow off disc	:	AISI 304 SS
Diaphragm	:	NBR

STANDARD SPECIFICATIONS

Dial size	:	DN100 / DN150
Range	:	-1...0...1,600 bar
Mounting pattern	:	Direct, Bottom connection
Process connection	:	1/2" NPT (M)
Ingress protection	:	IP 65
Execution	:	Dry but fillable, glycerin

STANDARD SPECIFICATIONS : DAMPENING LIQUID FILLED, GLYCERIN

Window	:	Shatterproof safety glass
Dampening liquid	:	Glycerin 99.7% [Service temperature up to 65°C]

TEMPERATURE EFFECT

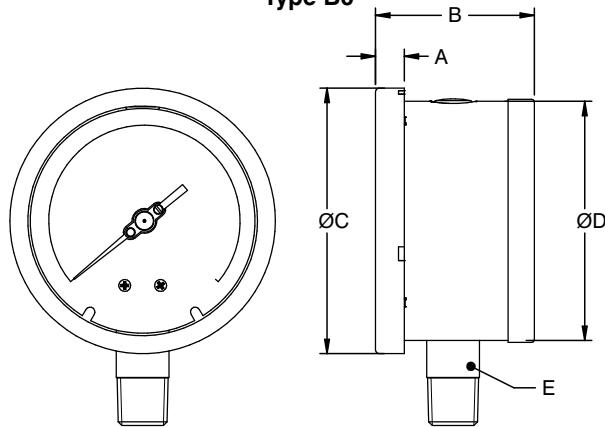
When temperature of the measuring system deviates from reference temperature (+20°C) max error $\pm 0.4\%$ / 10K of true scale value.

REFERENCE

EN 837-1, PED 97/23/EC

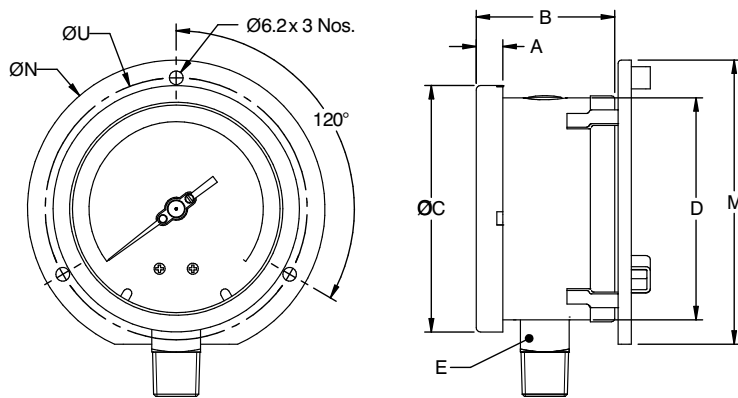
DIMENSIONAL DRAWING

Type B0



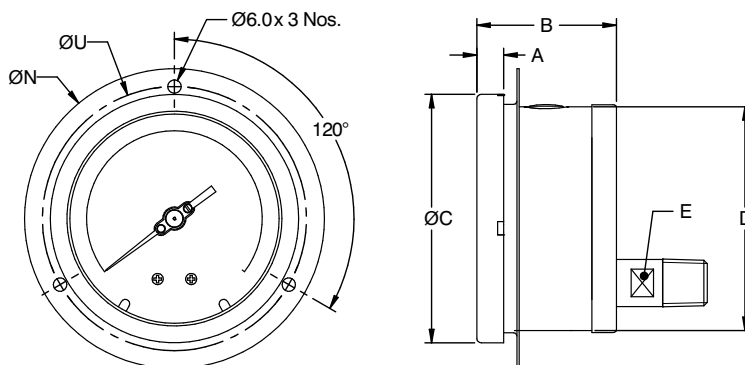
DN	A	B	ØC	ØD	E	Weight (grams)
100	12	66.5	111	100	SQ.22	830
150	17	68.5	161	149	SQ.22	1638

Type B1



DN	A	B	ØC	ØD	E	M	ØN	ØU	Weight (grams)
100	12	66.5	111	100	SQ.22	128	134	118	909
150	17	68.5	161	149	SQ.22	172	186	168	1746

Type L1



DN	A	B	ØC	ØD	E	ØN	ØU	Weight (grams)
100	12	66.5	111	100	A/F-17	134	118	906
150	17	68.5	161	149	A/F-17	186	168	1754

ORDERING CODES

1. DIAL SIZE

- 04** 100 mm / 4"
- 06** 150 mm / 6"

04

2. RANGE

- XXX** Refer "Range Table"

XXX

3. MOUNTING PATTERN

- B0** Direct, Bottom connection
- B1** Wall/Surface/Projection mounting, Bottom connection
- B2** 2" Pipe/Yoke mounting, Bottom connection
- L1** Panel/Front flange mounting, Lower Back connection⁵

B0

4. PROCESS CONNECTION

- 12B** 1/4" BSP (M)
- 12N** 1/4" NPT (M)
- 13B** 3/8" BSP (M)
- 14B** 1/2" BSP (M)
- 14M** M20 X 1.5 mm (M)
- 14N** 1/2" NPT (M)

14N

5. INGRESS PROTECTION

- ER** IP 65
- ES** IP 66
- ET** IP 67

ER

6. EXECUTION

- EA** Dry
- EB** Dry but fillable, glycerine
- EC** Dry but fillable, silicon oil²
- EG** Dampening liquid filled, glycerine
- EH** Dampening liquid filled, silicon oil²

EB

7. OTHER OPTIONS

- BA** Case & Ring in AISI 316 SS (B0)
- BB** Case & Ring in AISI 316 SS (B1)
- BL** Case & Ring in AISI 316 SS (L1)
- BC** Case & Ring in AISI 316 SS (B2)
- EM** Dampening screw, Monel
- EN** Dampening screw, AISI 316 SS
- EX** Internal overload stop
- EY** Internal vacuum stop
- EZ** Pointer stop on dial
- GL** AISI 316 SS movement
- GM** Dampened movement
- GW** Maximum Reading pointer³
- GX** Knife edge pointer
- MN** Monel wetted parts
- OP** Overrange protection 1.5xFS
- OS** Short Overpressure 4xFS
- P8** Epoxy coating (Case & Ring)
- R9** Receiver gauge⁴
- RA** Rubber parts, Viton
- RN** Rubber parts, NBR
- RW** Vent plug, ON-OFF type
- TA** 5 - point calibration certificate
- TC** Material test certificate 3.1
- TE** CE certificate
- TI** IBR certification
- TL** Helium leak testing
- TM** Material test certificate 2.2
- TN** Tested to NACE standards
- TO** Certification for Oxygen service
- TP** Performance test
- TT** C.C. with NABL traceability
- XA** Accuracy CL 0.5 / CL 0.6 of FS
- XF** SS tag plate, AISI 304 SS
- XG** SS tag plate, AISI 316 SS
- XR** Custom designed dial
- XT** Dial tag marking

XX

Ordering Example : P201-04-XXX-B0-14N-ER-EB

NOTES

1. For other connections, please contact factory.
2. Rubber parts shall be in Viton.
3. Available in dry version only with accuracy CL 1.0 or above.
4. Please specify the second scale required.
5. Available in dry version only.
6. C.C = Calibration Certificate