

FEATURES

- Solid front with full blow back
- All stainless steel system
- External zero adjustment
- Dry / liquid filled

APPLICATION

- Oil & Gas applications
- High pressure applications
- Corrosive & Hazardous environments

Miniature Design



STANDARD PARAMETERS

Accuracy	:	CL 1.6
Ambient temperature	:	-40...+65°C (without dampening liquid)
	:	-20...+65°C (with dampening liquid)
Service temperature	:	300°C max.
Pressure limits	:	Steady pressure up to FS value
	:	Fluctuating pressure up to 90% of FS value
	:	Short time 1.3 x FS value for range up to 100 bar
	:	Short time 1.15 x FS value for range above 100 bar
Weld joints	:	TIG argon arc welding

MATERIAL OF CONSTRUCTION

Sensing element	:	Bourdon Tube (≤ 100 bar : C - type , > 100 bar : Helical)
Case & Ring material	:	AISI 304 SS (Bayonet type)
Bourdon tube & Shank	:	AISI 316L SS (Shank welded directly to case)
Movement mechanism	:	AISI 304 SS
Dial	:	Aluminum, black graduation on white background
Pointer	:	Fixed, aluminum, black powder coated
Gaskets & filling plug	:	Neoprene
Window	:	Shatterproof safety glass
Blow off disc	:	AISI 304 SS
Diaphragm	:	NBR

STANDARD SPECIFICATIONS

Dial size	:	DN63
Range	:	-1...1,000 bar
Mounting pattern	:	Direct, Bottom connection
Process connection	:	1/4" NPT (M)
Ingress protection	:	IP 65
Execution	:	Dry but fillable, glycerin

STANDARD SPECIFICATIONS : DAMPENING LIQUID FILLED, GLYCERIN

Window	:	Shatterproof safety glass
Dampening liquid	:	Glycerin 99.7% [Service temperature up to 65°C]

TEMPERATURE EFFECT

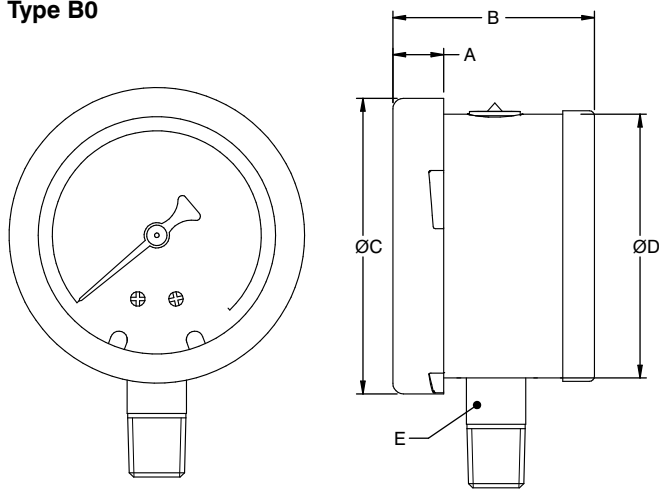
When temperature of the measuring system deviates from reference temperature (+20°C) max error $\pm 0.4\%$ / 10K of true scale value.

REFERENCE

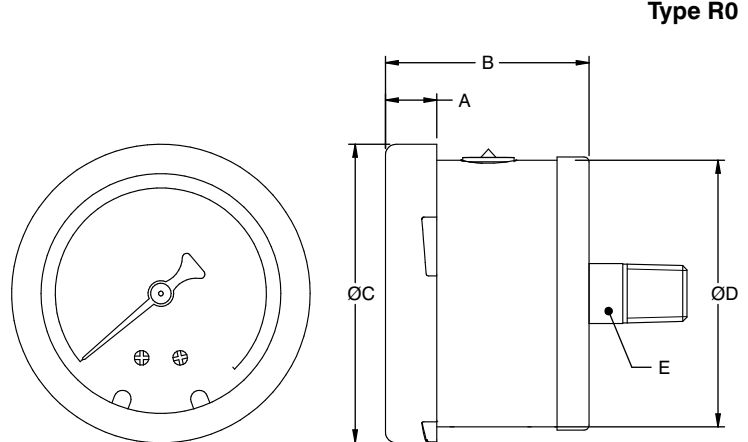
EN 837-1

DIMENSIONAL DRAWING

Type B0



Type R0



DN	A	B	ØC	ØD	E	Weight (grams)
63	12	46	69.7	62.2	SQ.14	320

DN	A	B	ØC	ØD	E	Weight (grams)
63	12	46	69.7	62.2	SQ.14	320

ORDERING CODES

1. DIAL SIZE

25 63 mm / 2½"

25

2. RANGE

XXX Refer "Range Table"

XXX

3. MOUNTING PATTERN

B0 Direct, Bottom connection

R0 Direct, Centre, Back connection

B0

4. PROCESS CONNECTION

12N ¼" NPT (M)

12B ¼" BSP (M)

12N

5. INGRESS PROTECTION

ER IP 65

ES IP 66

ET IP 67

ER

6. EXECUTION

EA Dry

EB Dry but fillable, glycerine

EC Dry but fillable, silicon oil²

EG Dampening liquid filled, glycerine

EH Dampening liquid filled, silicon oil²

EB

7. OTHER OPTIONS

BA Case & Ring in AISI 316 SS (B0)

BG Case & Ring in AISI 316 SS (R0)

EN Dampening screw, AISI 316 SS

EZ Pointer stop on dial

GW Maximum Reading pointer³

P8 Epoxy coating (Case & Ring)

RA Rubber parts, Viton

RN Rubber parts, NBR

RW Vent plug, ON-OFF type

TA 5 - point calibration certificate

TL Helium leak testing

TM Material test certificate 2.2

TO Certification for Oxygen service

TP Performance test

XF SS tag plate, AISI 304 SS

XG SS tag plate, AISI 316 SS

XR Custom designed dial

XT Dial tag marking

XX

Ordering Example : P203-25-XXX-B0-12N-ER-EB

NOTES

1. For other connections, please contact factory.

2. Rubber parts shall be in Viton.

3. Available in dry version only.