

FEATURES

- Diaphragm operated
- Compact design
- Isolated pressure chambers
- Static pressure up to 100 bar
- Isolated switch assembly

APPLICATION

- Filtration plants
- Water applications
- Natural gas processing plant
- Pumps & Compressors
- Clean room applications

Indicating Switch



STANDARD PARAMETERS

Accuracy	: ± 2 % (Ascending)
Ambient temperature	: -40...+65°C
Service temperature	: 80°C max.
Pressure limits	: Steady pressure up to FS value, No over-pressure

MATERIAL OF CONSTRUCTION

Sensing element	: Diaphragm, Ceramic Magnet & SS spring
Case	: AISI 304 SS, Push-fit window
Body	: AISI 316 SS
Dial	: Aluminum, black graduation on white background
Pointer	: Fix, aluminum, black powder coated
Window	: Sheet glass
Switch enclosure	: Die-cast aluminum
Switch type	: Reed switch

STANDARD SPECIFICATIONS

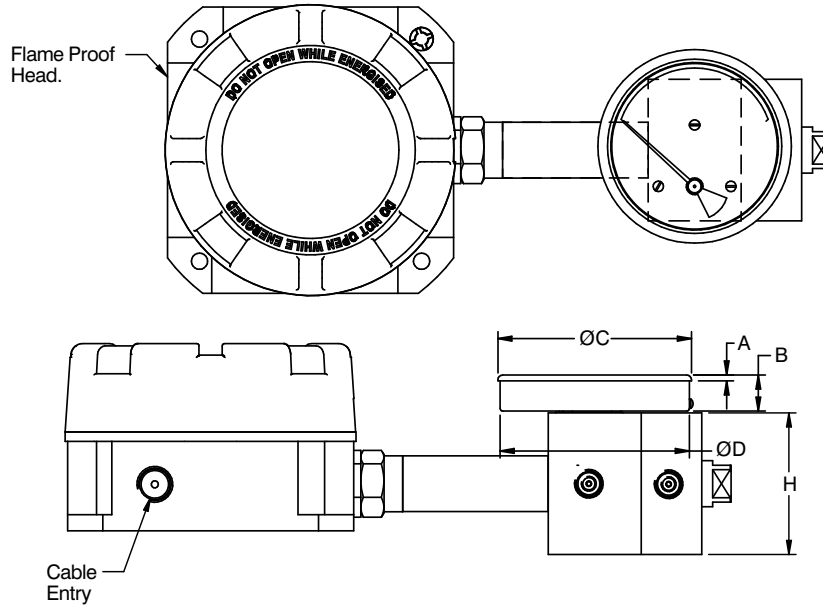
Dial size	: DN63 / DN100 / DN150
Range	: 0...75 mbar up to 0...4 bar
Mounting pattern	: Direct bottom connection
Process connection	: ¼" NPT (F) X 2 Nos.
Ingress protection (Gauge)	: IP 54
Ingress protection (Switch enclosure)	: ATEX & FM approved Ex class I, II & III : NEMA 4X, IP66, IP67
Execution	: Dry
Switch	: 1 SPST
Switch rating	: 230VAC/0.5A

APPROVALS



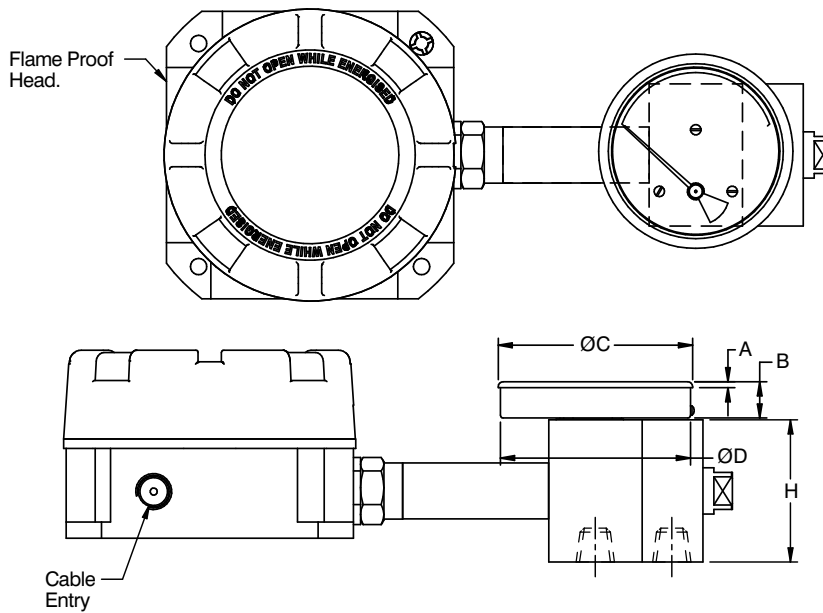
DIMENSIONAL DRAWING

Type B0



DN	A	B	ØC	ØD	E	H	Weight (grams)
63	2.4	18.6	66.5	63	A/F-20	50	3500
100	3.2	19.5	104	102	A/F-20	50	3810
150	3.2	19.5	155.5	151.5	A/F-20	50	4000

Type R0



DN	A	B	ØC	ØD	E	H	Weight (grams)
63	2.4	18.6	66.5	63	A/F-20	50	3500
100	3.2	19.5	104	102	A/F-20	50	3810
150	3.2	19.5	155.5	151.5	A/F-20	50	4000

All dimensions are in mm.

ORDERING CODES

1. DIAL SIZE		04	5. INGRESS PROTECTION		EV
25	63 mm / 2½"		ER	IP 65	
04	100 mm / 4"				
06	150 mm / 6"				
2. RANGE		XXX	6. EXECUTION		EA
XXX	Refer "Range Table"		EA	Dry	
3. MOUNTING PATTERN		B0	7. OTHER OPTIONS		LR0
B0	Direct Bottom connection		TB	Calibration certificate	
B2	2" Pipe/Yoke mounting		XG	SS tag plate, AISI 316 SS	
R0	Centre Back connection		XF	SS tag plate, AISI 304 SS	
4. PROCESS CONNECTION		02N	XR	Custom designed dial	
02B	¼" BSP (F) X 2 Nos.		XT	Dial tag marking	
02N	¼" NPT (F) X 2 Nos.		GW	Maximum Reading pointer	
			LR0	1 SPST Reed switch	
			LR1	1 SPDT Reed switch	

Ordering Example : P403-04-XXX-B0-02N-EV-EA-LR0

NOTES

1. For other connections, please contact factory.