



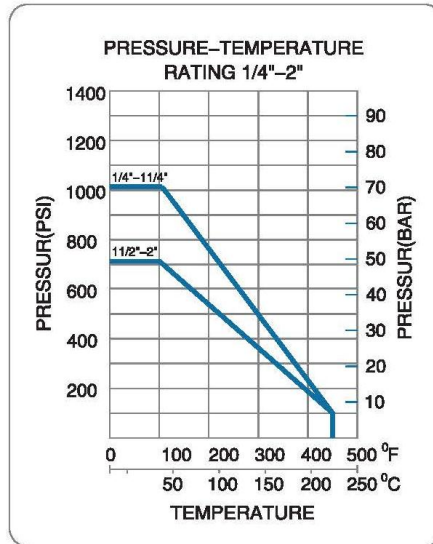
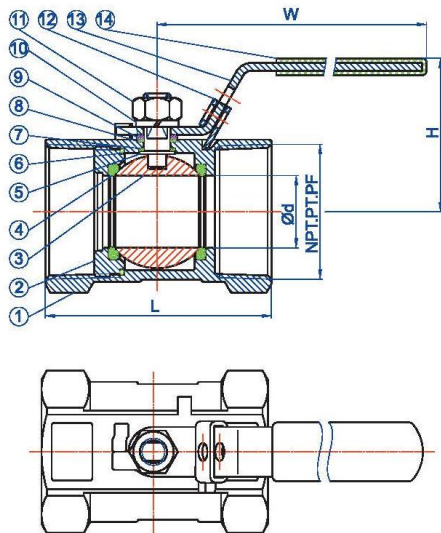
一片式牙口球塞閥
 REDUCE PORT ONE-PIECE
 BALL VALVE SCREWED END
 1000W.O.G./PN63

TC100 CARBON STEEL WCB/DIN1.0619
 TC112 STAINLESS STEEL CF8M/DIN1.4408



特徵 FEATURES

- 管螺紋按照 PIPE THREAD IN ACCORDANCE:
NPT, BSPT, DIN259, DIN2999, ISO 228 CLASS A
- 防爆軸心/減流量
BLOW-OUT PROOF STEM/REDUCE PORT
- 精密鑄造 INVESTMENT CASTING BODY
- 1000PSI(PN63)W.O.G.
- 掛鎖裝置 LOCKING DEVICE



材質表 MATERIALS LIST

NO	部件名稱 PART NAME	材料 MATERIALS
1	閥體 BODY	WCB CF8M
2	閥蓋 CAP	WCB CF8M
3	鋼球 BALL	CF8M
4	球墊 SEAT	PTFE
5	軸心 STEM	SUS316
6	大薄片 GASKET	PTFE
7	小薄片 THRUST WASHER	PTFE
8	中口 PACKING	PTFE
9	墊片 WASHER	SUS304
10	彈簧華司 SPRING WASHER	SUS304
11	軸心螺母 STEM NUT	SUS304
12	掛鎖裝置 LOCKING DEVICE	SUS304
13	把手 HANDLE	SUS304
14	把手套 PLASTIC COVER	PLASTIC

尺寸表 DIMENSIONS

SIZE	DN	NPS	d	L	H	W	Cv FACTOR	TORQUE N.M
8	1/4"	5	39	34	69	4.0	0.6	
10	3/8"	7	44	38	81	4.0	0.9	
15	1/2"	10	59	41	96	4.5	1.0	
20	3/4"	13	60	45	96	9.0	2.0	
25	1"	16	72	52	116	16.0	4.0	
32	1 1/4"	20	77	57	116	24.0	5.5	
40	1 1/2"	25	84	62	158	37.0	7.0	
50	2"	32	100	68	158	68.0	9.0	