

## FEATURES

- Economical version

## APPLICATION

- Hydraulic machines
- Isolation for gauges
- Compressors

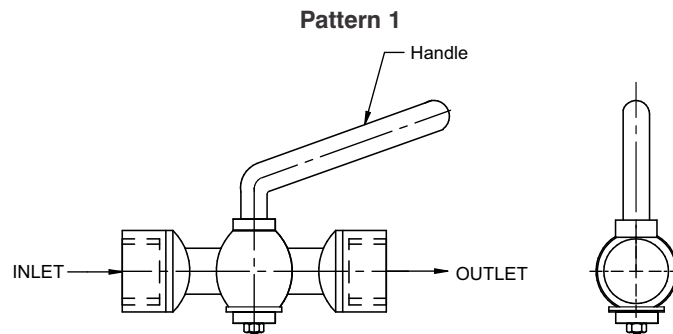
Brass



### STANDARD SPECIFICATIONS

Type	:	Pattern 1 (2 Way)
Material	:	Brass
Instrument connection	:	3/8" BSP (F)
Process connection	:	3/8" BSP (F)
Maximum working pressure	:	16 bar
Maximum working temperature	:	120°C

### DIMENSIONAL DRAWING



### ORDERING CODES

#### 1. TYPE

1 Pattern 1 (2 Way)

#### 2. MATERIAL

MA Brass

#### 3. INSTRUMENT CONNECTION

02B 1/4" BSP (F)

04B 1/2" BSP (F)

03B 3/8" BSP (F)

#### 4. PROCESS CONNECTION

02B 1/4" BSP (F)

04B 1/2" BSP (F)

03B 3/8" BSP (F)

**Ordering Example : A104-1-MA-03B-03B**

#### NOTES:

1. Picture shown are for reference purpose, the actual product may vary in appearance.