

## FEATURES

- Quick connect/disconnect
- Laser welded flush diaphragm
- Tri-clamp connection

## APPLICATION

- Food & beverages industries
- Dairy & Ice cream industries
- Pharmaceuticals & cosmetics

### Tri-clover

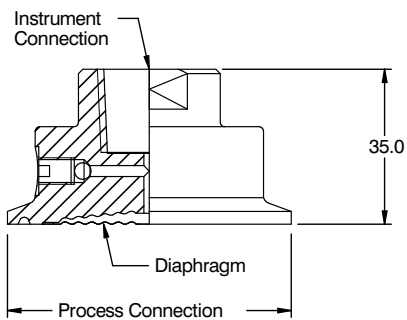


### STANDARD SPECIFICATIONS

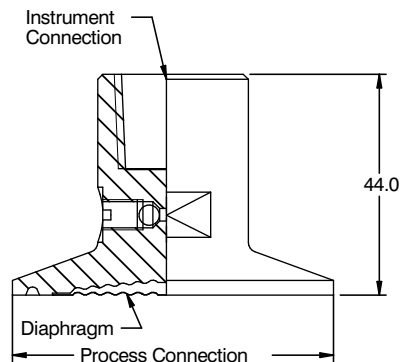
Range type	: -1...0 bar to 0...40 bar Tri-Clover
Chamber material	: AISI 316 SS
Diaphragm	: AISI 316L SS
Instrument connection	: 1/2" NPT (F)
Sealing fluid	: Glycerine [10°C to 150°C]
Process connection	: 1.5" Connection
Assembly	: Direct

### DIMENSIONAL DRAWING

Type S31



Type S32



All dimensions are in mm.

### ORDERING CODES

#### 1. RANGE TYPE

**S31** -1...0 bar to 0...40 bar Tri-Clover  
**S32** -1...0 bar to 0...40 bar Tri-Clover  
 Refer range vs connection size table

**S31**

#### 2. CHAMBER MATERIAL

**LF** AISI 316 SS  
**LG** AISI 316L SS

**LF**

#### 3. DIAPHRAGM MATERIAL

**DG** AISI 316L SS

**DG**

#### 4. INSTRUMENT CONNECTION

**03B** 3/8" BSP (F)<sup>1</sup>  
**04N** 1/2" NPT (F)<sup>1</sup>  
**02B** 1/4" BSP (F)  
**04B** 1/2" BSP (F)<sup>1</sup>  
**02N** 1/4" NPT (F)

**04N**

#### 5. SEALING FLUID

**OF** Food grade oil [-20°C to 140°C]  
**OG** Glycerine [10°C to 150°C]

**OG**

#### 6. TRI-CLOVER CONNECTION

**T01** 1" Connection  
**T15** 1.5" Connection  
**T02** 2" Connection  
**T25** 2.5" Connection

**T15**

#### 7. ASSEMBLY

**B8** Direct

**B8**

#### 8. OTHER OPTIONS

**XZ** Dry seal  
**HL** Helium leak test  
**TM** Material test certificate 2.2  
**TC** Material test certificate 3.1  
**E7** 4" Bourdon tube system

**XX**

**Ordering Example : D301-S31-LF-DG-04N-OG-T15-B8**

### CONNECTION SIZE Vs RANGE CHART

Thread Size	1"	1 1/2"	2"	2 1/2"
"Diaphragm Size (OD/ED) in "mm"	35/25	38/32	48/40	62/52
Range (bar)	0...4 to 0...40	0...2 to 0...40	0...1 to 0...40	-1...0 to 0...40

### APPLICABLE ACCESSORIES

**A302** Tri-Clamp, Sealing Ring & Bottom part

#### NOTES:

1. Available with 63 mm Bourdon tube system
2. For Tri-clamps, Sealing rings & Bottom mating parts, please refer model A302.
3. All metal diaphragms are laser welded to the Top Chamber.