

FEATURES

- Quick connect/disconnect
- Laser welded flush diaphragm
- DIN, SMS, RJT & IDF / ISS connections

APPLICATION

- Food & beverages industries
- Dairy & Ice cream industries
- Pharmaceuticals & cosmetics

Flush, Union-nut

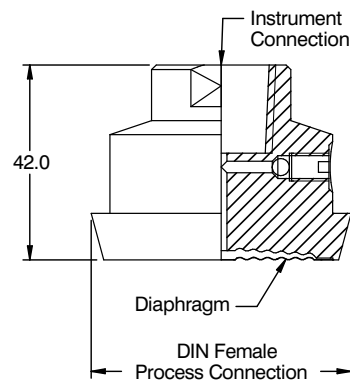


STANDARD SPECIFICATIONS

Range type	:	1.6...40 bar DIN 11851
Chamber material	:	AISI 316 SS
Diaphragm	:	AISI 316L SS
Instrument connection	:	1/2" NPT (F)
Sealing fluid	:	Glycerine [10°C to 150°C]
Process connection	:	1.5" Union-nut
Assembly	:	Direct
Capillary	:	Optional
Armour	:	Optional
Remote mounting length	:	Optional

DIMENSIONAL DRAWING

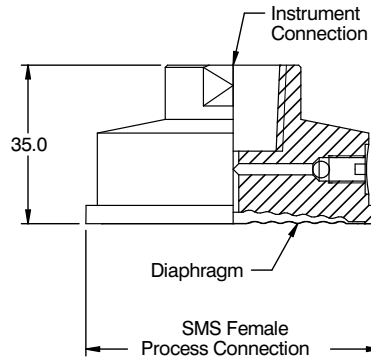
Type S40



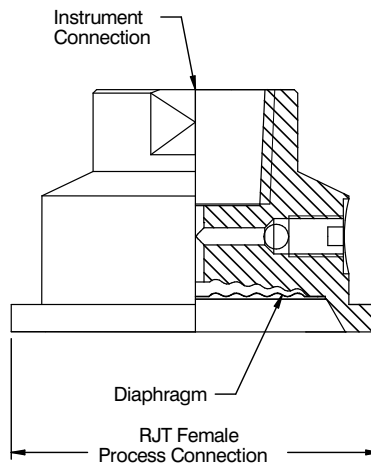
All dimensions are in mm.

DIMENSIONAL DRAWING

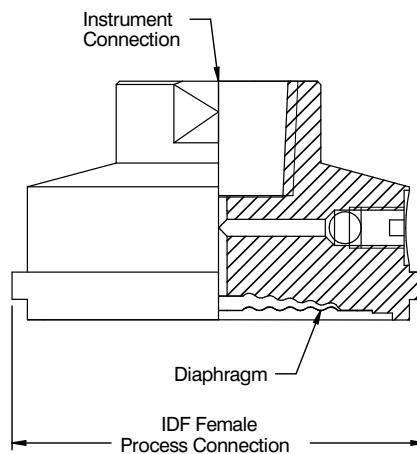
Type S41



Type S42



Type S43



ORDERING CODES

1. RANGE TYPE		S37	7. PROCESS CONNECTION		T15	
S36	1.6...21 bar		T01	1" Union-nut ¹		
S37	1.6...40 bar		T15	1.5" Union-nut		
Refer range vs connection size table			T02	2" Union-nut		
2. STANDARD TYPE		T40	8. ASSEMBLY		B8	
T40	DIN 11854		B8	Direct		
T41	SMS		B9	Remote (capillary)		
T42	RTJ / APV		9. CAPILLARY		XX	
T43	IDF / ISS		OU	AISI 304 SS		
3. CHAMBER MATERIAL		LF	OV	AISI 316 SS		
LF	AISI 316 SS		10. ARMOUR		XX	
LG	AISI 316L SS	OX	AISI 304 SS			
4. DIAPHRAGM MATERIAL		DG	OY	AISI 316 SS		
DG	AISI 316L SS		OZ	PVC (Ambient max. 60°C)		
5. INSTRUMENT CONNECTION		04N	11. REMOTE MOUNTING LENGTH		XXXX	
03B	3/8" BSP (F)		XXXX	1000 mm up to 4000 mm		
04N	1/2" NPT (F)		12. OTHER OPTIONS		XX	
02B	1/4" BSP (F)		XZ	Dry seal		
04B	1/2" BSP (F)		HL	Helium leak test		
02N	1/4" NPT (F)		TM	Material test certificate 2.2		
6. SEALING FLUID		OG	TC	Material test certificate 3.1		
OF	Food grade oil [-20°C to 140°C]					
OG	Glycerine [10°C to 150°C]					

Ordering Example : **D302-S37-T40-LF-DG-04N-OG-T15-B8**

CONNECTION SIZE Vs RANGE CHART

DIN	Size	25	32	40	50	80
	"Diaphragm Size (OD/ED) in "mm"	35/25	38/32	48/40	59/52	80/72
	Range (bar)	0...4 to 0...40	0...2 to 0...40	0...1 to 0...40	0...1 to 0...40	-1...0 to 0...40
SMS	Size	1"	1 1/2"	2"		
	"Diaphragm Size (OD/ED) in "mm"	30/23	45/36	58/51		
	Range (bar)	0...4 to 0...40	0...2 to 0...40	0...1 to 0...40		

APPLICABLE ACCESSORIES

A303 Sanitary connection ring/nut

NOTES:

1. All metal diaphragms are laser welded to the Top Chamber.