

FEATURES

- Leak path reduction
- Redacted coat & weight

APPLICATION

- Isolation & venting of gauges, switches & transmitters
- Oil & gas applications
- Liquid & gas services

Direct Mounting

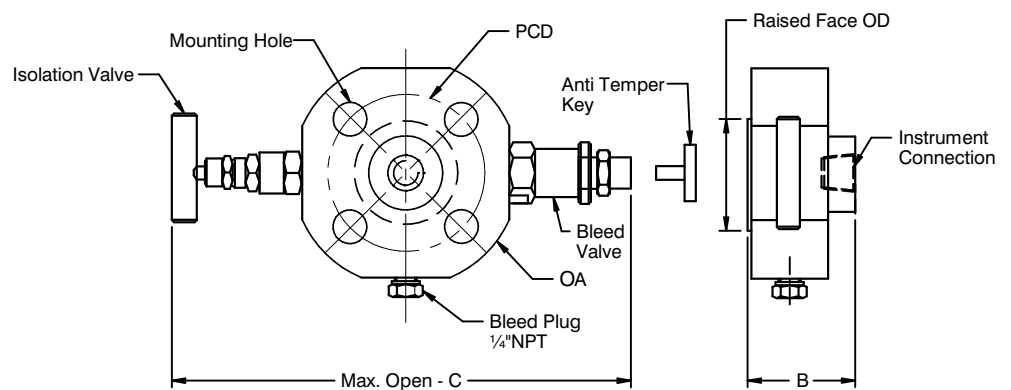


STANDARD SPECIFICATIONS

Type	: Single Block & Bleed
Wetted parts	: AISI 316 SS
Instrument connection	: 1/2" NPT (F)
Stem packing	: PTFE
Process connection	: 1/2" RF 150# as per ANSI B 16.5
Stem	: Conical metal tip
Max. working pressure	: As per flange rating
Max. working temperature	: 240°C
"T" bar handle	: AISI 304 SS
Drain port	: 1/2" NPT (F), plugged

DIMENSIONAL DRAWING

Monoflange Single Block & Bleed Valve



All dimensions are in mm.

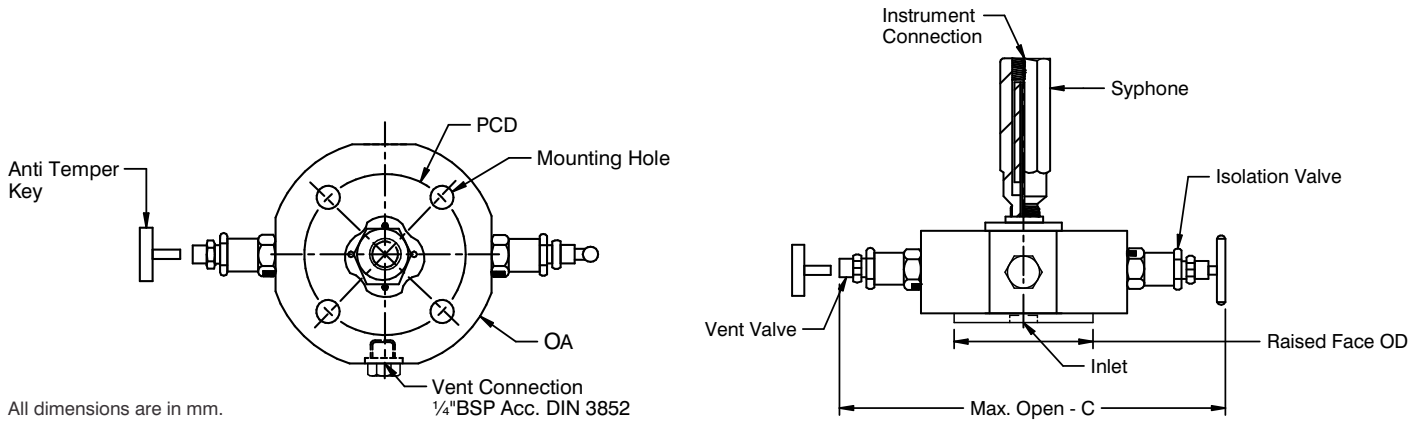
Flange NS	Flange Rating														
	Class 150			Class 300			Class 600			Class 900/1500			Class 2500		
	ØA	B	Max. Open C	ØA	B	Max. Open C	ØA	B	Max. Open C	ØA	B	Max. Open C	ØA	B	Max. Open C
1/2"	90	45	208	95	45	215	95	50	215	120	50	230	135	50	237
3/4"	100	45	218	115	45	230	115	50	230	130	50	237	140	50	243
1"	110	45	228	125	45	237	125	50	237	150	50	249	160	50	256
1 1/2"	125	50	248	155	50	262	155	55	262	180	55	272	205	55	294
2"	150	50	268	165	50	275	165	60	275	215	60	313	235	60	319

NOTE:

PCD, Mounting holes and RF OD sizes as per ANSI B 16.5 standard. Other dimensions as per Manufacturer's design.

DIMENSIONAL DRAWING

Monoflange Single Block & Bleed Valve with Straight Siphon

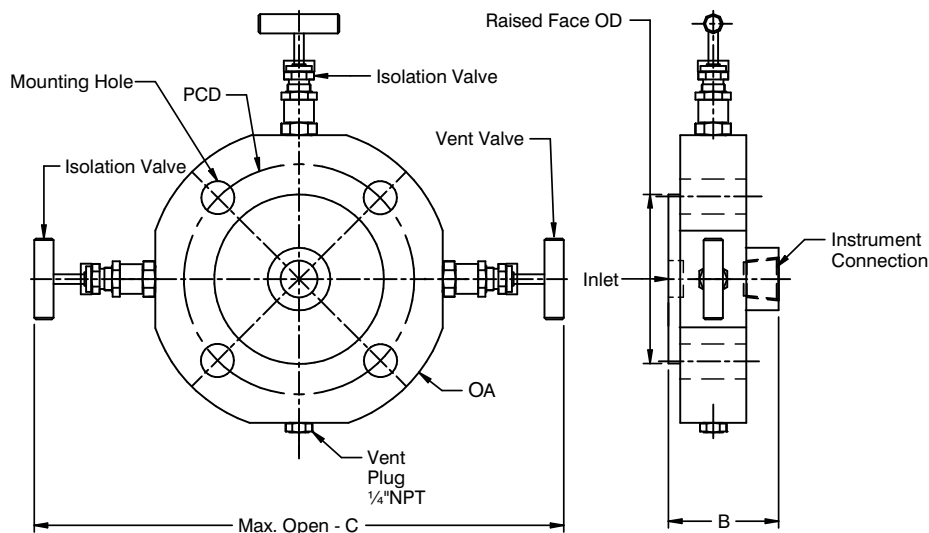


All dimensions are in mm.

Flange NS	Flange Rating														
	Class 150			Class 300			Class 600			Class 900/1500			Class 2500		
	ØA	B	Max. Open C	ØA	B	Max. Open C	ØA	B	Max. Open C	ØA	B	Max. Open C	ØA	B	Max. Open C
½"	90	45	208	95	45	215	95	50	215	120	50	230	135	50	237
¾"	100	45	218	115	45	230	115	50	230	130	50	237	140	50	243
1"	110	45	228	125	45	237	125	50	237	150	50	249	160	50	256
1½"	125	50	248	155	50	262	155	55	262	180	55	272	205	55	294
2"	150	50	268	165	50	275	165	60	275	215	60	313	235	60	319

NOTE:
PCD, Mounting holes and RF OD sizes as per ANSI B 16.5 standard. Other dimensions as per Manufacturer's design.

Monoflange Double Block & Bleed Valve



All dimensions are in mm.

Flange NS	Flange Rating														
	Class 150			Class 300			Class 600			Class 900/1500			Class 2500		
	ØA	B	Max. Open C	ØA	B	Max. Open C	ØA	B	Max. Open C	ØA	B	Max. Open C	ØA	B	Max. Open C
½"	90	45	236	95	45	243	95	50	243	120	50	258	135	50	265
¾"	100	45	246	115	45	258	115	50	258	130	50	265	140	50	271
1"	110	45	256	125	45	265	125	50	265	150	50	277	160	50	284
1½"	125	50	276	155	50	290	155	55	290	180	55	300	205	55	322
2"	150	50	268	165	50	301	165	60	301	215	60	341	235	60	347

NOTE:
PCD, Mounting holes and RF OD sizes as per ANSI B 16.5 standard. Other dimensions as per Manufacturer's design.

ORDERING CODES

1. TYPE

X	Single Block & Bleed
Y	Single Block & Bleed + Siphone
Z	Double Block & Bleed

X

2. WETTED PARTS

MB	Carbon Steel / ASTM A105
MC	AISI 304 SS
MF	AISI 316 SS
MG	AISI 316L SS
MM	Monel 400
MN	Monel K-500
MO	Hastelloy C-276

MF

4. INSTRUMENT CONNECTION

04N	1/2" NPT (F)
04B	1/2" BSP (F)
R4N	1/2" NPT (F) Rotating

04N

5. STEM PACKING

P	PTFE
G	Grafoil

P

6. PROCESS CONNECTION

A01	1/2" RF 150#	A02	1/2" RF 300#
A03	1/2" RF 600#	A04	1/2" RF 900#
A05	1/2" RF 1500#	A06	1/2" RF 2500#
A07	3/4" RF 150#	A08	3/4" RF 300#
A09	3/4" RF 600#	A10	3/4" RF 900#
A11	3/4" RF 1500#	A12	3/4" RF 2500#
A13	1" RF 150#	A14	1" RF 300#
A15	1" RF 600#	A16	1" RF 900#
A17	1" RF 1500#	A18	1" RF 2500#
A25	1.5" RF 150#	A26	1.5" RF 300#
A27	1.5" RF 600#	A28	1.5" RF 900#
A29	1.5" RF 1500#	A30	1.5" RF 2500#
A31	2" RF 150#	A32	2" RF 300#
A33	2" RF 600#	A34	2" RF 900#
A35	2" RF 1500#	A36	2" RF 2500#

A01

7. OTHER OPTIONS

XY	Circular Handle
TN	Tested to NACE standards
TO	Certification for Oxygen service
TM	Material test certificate 2.2
TH	Hydro test certificate
TC	Material test certificate 3.1
XL	Marking by laser

XL

Ordering Example : M202-X-MF-04N-P-A01-XL

APPLICABLE ACCESSORIES

A506	Mounting bolts
A507	Ring for flanged seal
A508	Sealing gasket

NOTES:

- Other connections are available, please contact factory for details.
- Valve stem dust covers shall be identified with color codes according to their function as Blue = ISOLATE, Green = EQUALIZE & Red = DRAIN / VENT.