

FEATURES

- Inert gas filled expansion
- Filled versions
- Bi-metal compensation

APPLICATION

- Liquid & gaseous mediums
- Corrosive environments
- Oil & Gas applications
- Chemical & Petrochemical

Electric Contact, High Case Version



STANDARD PARAMETERS

Accuracy	: CL 1.0 (Class 1)
Ambient temperature	: 0...40°C max at case
Storage & Transport temperature	: -50...+70°C without liquid dampening
	: -20...+60°C with liquid dampening
Over range limits	: 110% full scale
Stem pressure rating	: 25 bar (Without thermowell)
Weld joints	: TIG argon arc welding

MATERIAL OF CONSTRUCTION

Sensing element	: Inert Gas Filled sensor bulb
Case & Ring material	: AISI 304 SS
Stem & Process connection material	: AISI 316 SS
Dial	: Aluminum, black graduation on white background
Pointer	: Micrometer zero adjustable, aluminum, black powder coated
Gaskets	: Neoprene
Window	: Shatterproof safety glass

STANDARD SPECIFICATIONS

Dial size	: DN100
Range	: 0...100°C
Mounting pattern	: Direct, Bottom connection
Stem size	: 6.0 mm
Ingress protection	: IP 65
Stem length	: 300 mm
Assembly	: Direct
Process connection type	: Adjustable connection
Process connection	: 1/2" NPT (M)
Electric contact	: Double; Break contact + Make contact
Electrical termination	: 4 pin PG 13.5 connector

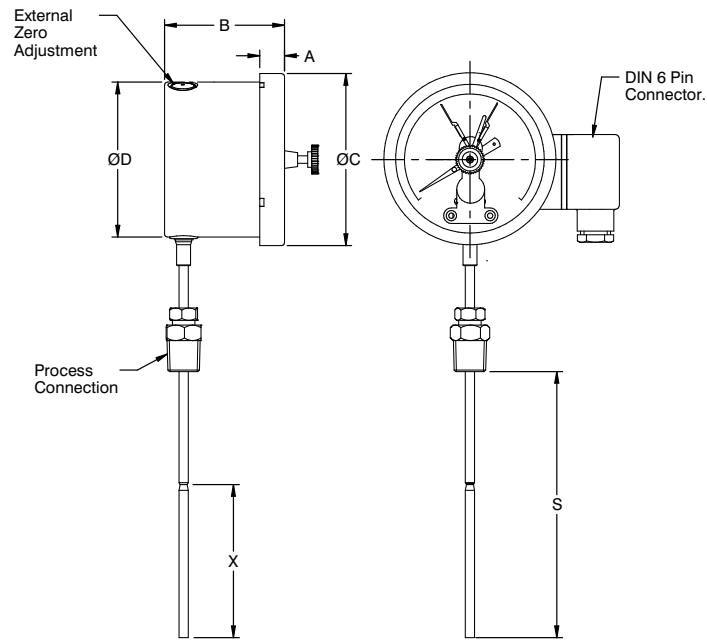
STANDARD SPECIFICATIONS : DAMPENING LIQUID FILLED, DIELECTRIC OIL

Gaskets & Filling plugs	: NBR
Dampening liquids	: Dielectric Oil

REFERENCE

DIMENSIONAL DRAWING

Mounting Pattern: B0, High case type

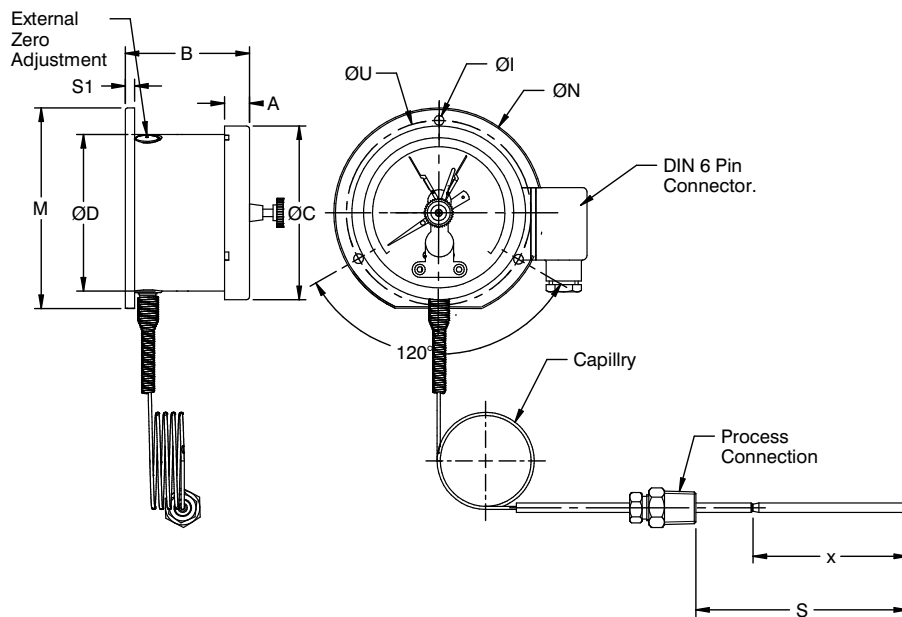


DN	A	B	ØC	ØD	S	X
100	12	91	111	100	*	**
150	15	91	161	149	*	**

* As per customer requirement.

** Refer technical sheet - Temperature Gauges.

Mounting Pattern: B1, High case type



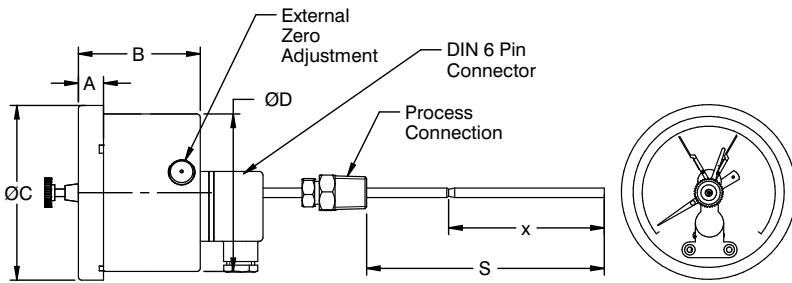
DN	A	B	ØC	ØD	ØI	ØN	M	S1	ØU	S	X
100	12	52	111	100	6	134	128	6	118	*	**
150	15	52	161	149	6	186	172.4	6	168	*	**

* As per customer requirement.

** Refer technical sheet - Temperature Gauges.

DIMENSIONAL DRAWING

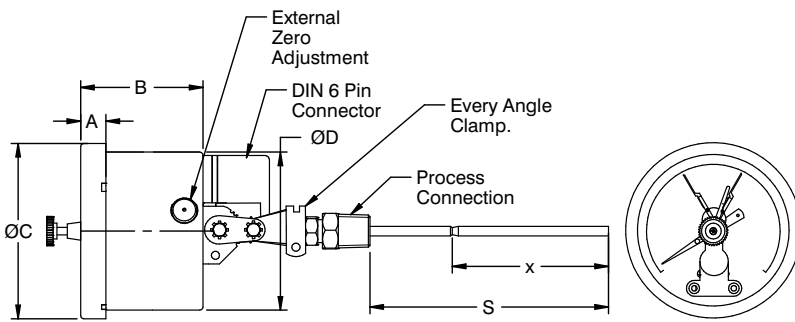
Mounting Pattern: R0, High case type



DN	A	B	ØC	ØD	S	X
150	15	91	161	149	*	**

* As per customer requirement.
 ** Refer technical sheet - Temperature Gauges.

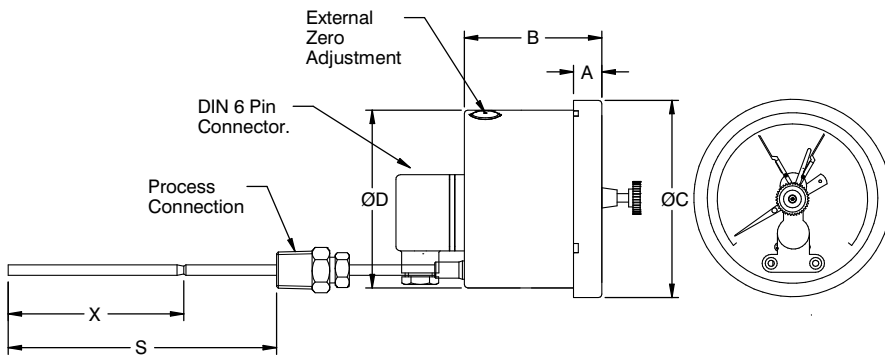
Mounting Pattern: R1, High case type



DN	A	B	ØC	ØD	S	X
150	15	91	161	149	*	**

* As per customer requirement.
 ** Refer technical sheet - Temperature Gauges.

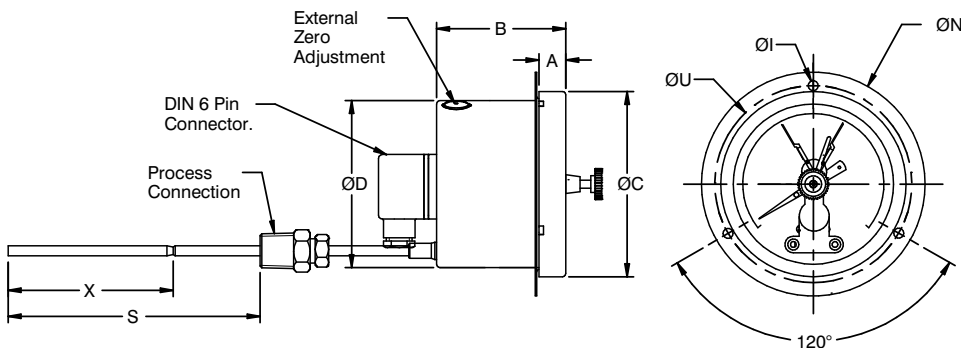
Mounting Pattern: L0, High case type



DN	A	B	ØC	ØD	S	X
150	15	91	161	149	*	**

* As per customer requirement.
 ** Refer technical sheet - Temperature Gauges.

Mounting Pattern: L1, High case type



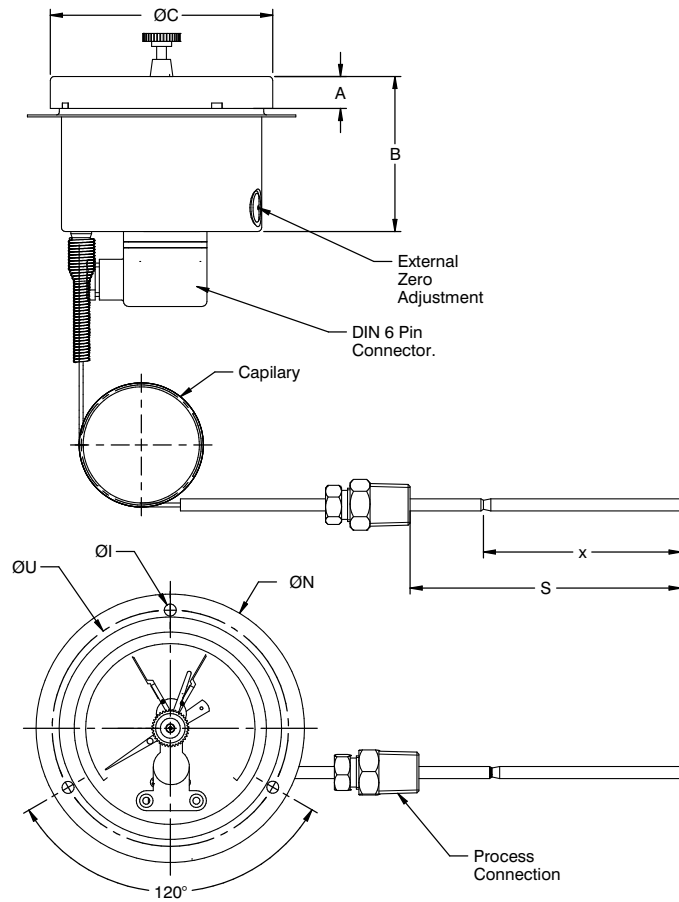
DN	A	B	ØC	ØD	ØI	ØN	ØU	S	X
150	15	48	161	149	6	186	168	*	**

* As per customer requirement.
 ** Refer technical sheet - Temperature Gauges.

All dimensions are in mm.

DIMENSIONAL DRAWING

Mounting Pattern: L1, High case type



DN	A	B	ØC	ØD	ØI	ØN	ØU	S	X
150	15	48	161	149	6	186	168	*	**

* As per customer requirement.

** Refer technical sheet - Temperature Gauges.

All dimensions are in mm.

RANGE TABLE

RANGE	" °C "	RANGE	" °C "	RANGE	" °C "
-20...+40	C01	-50...+100	C11	0...250	C21
-20...+60	C02	-100...+60	C12	0...300	C22
-20...+80	C03	0...50	C13	0...400	C23
-20...+100	C04	0...60	C14	0...500	C24
-20...+120	C05	0...80	C15	0...600	C25
-20...+180	C06	0...100	C16	0...650	C26
-30...+50	C07	0...120	C17	50...650	C27
-30...+70	C08	0...150	C18	100...600	C28
-40...+40	C09	0...160	C19	100...700	C29
-40...+60	C10	0...200	C20		

NOTES

1. For other ranges, please contact factory.
2. Equivalent scales available in °F, °C/°F, °F/°C.

