

FEATURES

- Back seating to prevent stem blow-out

APPLICATION

- Isolation & Venting of gauges, switches & other instruments
- Liquid & gas services

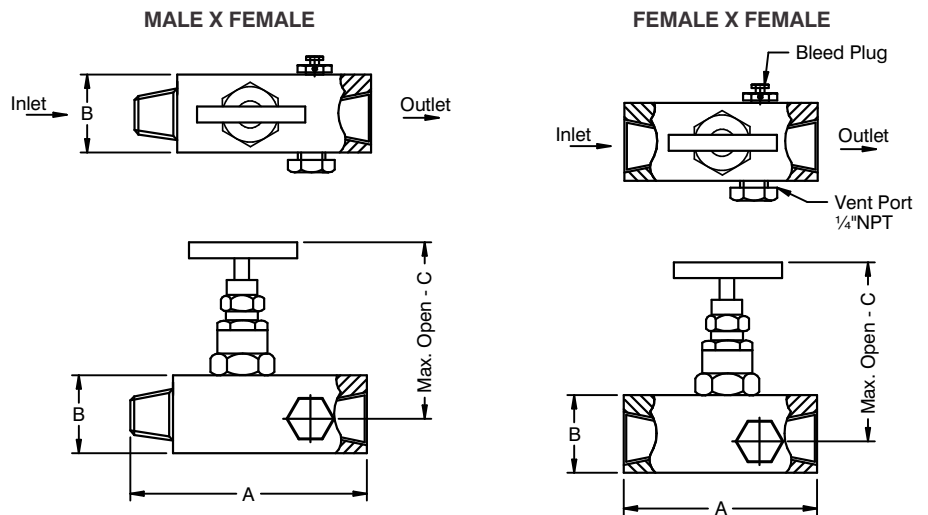
Multi-port



STANDARD SPECIFICATIONS

Stem type	:	Hard seated stem
Wetted parts	:	AISI 316 SS
Instrument connection	:	1/2" NPT (F) x 3Nos.
Stem packing	:	PTFE
Process connection	:	1/2" NPT (M)
Stem	:	Conical metal tip
Max. working pressure	:	413.7 bar (6000 psi)
Max. working temperature	:	240°C
"T" bar handle	:	AISI 304 SS

DIMENSIONAL DRAWING



Connections		A	B	Max. open - C Stem Type	
Size	Type			HS	SS
NPT 1/4"	F x F	74	25	65	64.5
	M x F	84	25	65	64.5
NPT 3/8"	F x F	74	25	65	64.5
	M x F	84	25	65	64.5
NPT 1/2"	F x F	102	32	86.6	94
	M x F	115	32	86.6	94
NPT 3/4"	F x F	102	38	86.6	97
	M x F	115	38	86.6	97

All dimensions are in mm

ORDERING CODES

1. STEM TYPE

- HS** Hard seated stem (Metal)
- SS** Soft seated stem (Derlin)

HS

2. WETTED PARTS

- MB** Carbon Steel / ASTM A105
- MC** AISI 304 SS
- MF** AISI 316 SS
- MG** AISI 316L SS
- MM** Monel 400
- MN** Monel K-500
- MO** Hastelloy C-276

MF

4. INSTRUMENT CONNECTION

- | | |
|-----------------------------|-------------------------|
| 11N 1/8" NPT (M) | 12N 1/4" NPT (M) |
| 13N 3/8" NPT (M) | 14N 1/2" NPT (M) |
| 11B 1/8" BSP (M) | 12B 1/4" BSP (M) |
| 13B 3/8" BSP (M) | 14B 1/2" BSP (M) |
| 01N 1/8" NPT (F) | 02N 1/4" NPT (F) |
| 03N 3/8" NPT (F) | 04N 1/2" NPT (F) |
| 01B 1/8" BSP (F) | 02B 1/4" BSP (F) |
| 03B 3/8" BSP (F) | 04B 1/2" BSP (F) |
| 1SW 1/8" Socket-Weld | |
| 2SW 1/4" Socket-Weld | |
| 4SW 1/2" Socket-Weld | |
| 5SW 3/4" Socket-Weld | |

04N

5. STEM PACKING

- P** PTFE
- G** Grafoil

P

6. PROCESS CONNECTION

- | | |
|-----------------------------|-------------------------|
| 11N 1/8" NPT (M) | 12N 1/4" NPT (M) |
| 13N 3/8" NPT (M) | 14N 1/2" NPT (M) |
| 11B 1/8" BSP (M) | 12B 1/4" BSP (M) |
| 13B 3/8" BSP (M) | 14B 1/2" BSP (M) |
| 01N 1/8" NPT (F) | 02N 1/4" NPT (F) |
| 03N 3/8" NPT (F) | 04N 1/2" NPT (F) |
| 01B 1/8" BSP (F) | 02B 1/4" BSP (F) |
| 03B 3/8" BSP (F) | 04B 1/2" BSP (F) |
| 1SW 1/8" Socket-Weld | |
| 2SW 1/4" Socket-Weld | |
| 4SW 1/2" Socket-Weld | |
| 5SW 3/4" Socket-Weld | |

14N

7. OTHER OPTIONS

- XY** Circular Handle
- TN** Tested to NACE standards
- TO** Certification for Oxygen service
- TM** Material test certificate 2.2
- TH** Hydro test certificate
- TC** Material test certificate 3.1
- XL** Marking by laser

XL

Ordering Example : V103-HS-MF-04N-P-14N-XL

APPLICABLE ACCESSORIES

- A503** Drain plug
- A505** Bleeder
- A507** Ring for flanged seal
- A508** Sealing gasket

NOTES:

1. Other connections are available, please contact factory for details.
2. Valve stem dust covers shall be identified with color codes according to their function as ; Blue = ISOLATE