

FEATURES

- Sanitary design
- Solid bar-stock drilled

APPLICATION

- Biochemical & pharmaceutical
- Food & beverages
- Sterile process industries

Bar-stock

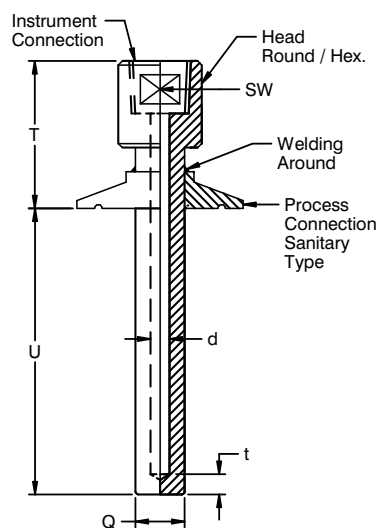


STANDARD SPECIFICATIONS

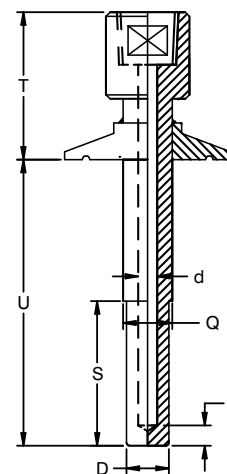
Shank form	:	Stepped
Material	:	AISI 316 SS
Instrument connection	:	1/2" NPT (F)
Bore diameter	:	6.6 mm
Lag extension	:	50 mm
Root diameter	:	21.0 mm
Tip diameter	:	16.0 mm
Immersion length	:	300 mm
Step / Taper Length	:	100 mm
Tip thickness	:	5 mm
Process connection	:	1.5" Sanitary connection
Head type	:	Round with spanner slot
Head size	:	27 mm

DIMENSIONAL DRAWING

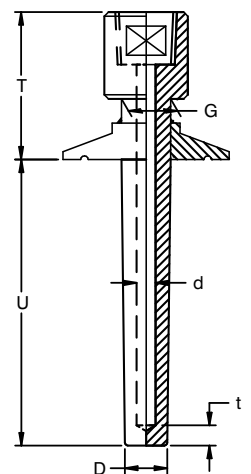
Straight Thermowell



Step Thermowell



Taper Thermowell



ORDERING CODES

1. SHANK FORM

S	Straight
E	Stepped
T	Tapered

S

2. MATERIAL

MF	AISI 316 SS
MG	AISI 316L SS

MF

3. INSTRUMENT CONNECTION

02N	1/4" NPT (F)
04N	1/2" NPT (F)
05N	3/4" NPT (F)
02B	1/4" BSP (F)
04B	1/2" BSP (F)
05B	3/4" BSP (F)
04M	M20 x 1.5 mm (F)

02N

4. BORE DIAMETER ("d")

N	6.35 mm (1/4")
A	6.6 mm
C	9.0 mm
D	9.6 mm
O	10 mm

A

5. LAG EXTENSION ("T")

XXX	35 mm up to 250 mm
------------	--------------------

XXX

6. ROOT DIAMETER ("Q")

XX.X	Mention in 'mm'
-------------	-----------------

XX.X

7. TIP DIAMETER ("D")

XX.X	Mention in 'mm'
-------------	-----------------

XX.X

8. IMMERSION LENGTH ("U")

XXXX	50 mm up to 1000 mm
-------------	---------------------

XXXX

9. STEP / TAPER LENGTH ("S")

XXX	Mention in 'mm'
------------	-----------------

XXX

10. TIP THICKNESS ("t")

M	5 mm
N	6.35 mm (1/4")
O	10 mm

M

11. PROCESS CONNECTION

T01	1" Sanitary connection
T02	2" Sanitary connection
T15	1.5" Sanitary connection
T25	2.5" Sanitary connection

T01

12. HEAD TYPE

H	Hex
L	Round with spanner slot

H

13. HEAD SIZE

XX	Mention in 'mm'
-----------	-----------------

XX

14. OTHER OPTIONS

XI	Plug & chain in SS
XK	Electro polishing
XL	Marking by laser
XM	Marking by engraving
TD	Dye penetration test
TG	IGC test
TH	Hydro test certificate
TM	Material test certificate 2.2
TN	Tested to NACE standards
TP	Performance test certificate
TW	WFC as per PTC 19.3TW:2010

XM

Ordering Example : W202-S-MB-02N-XXX-XX.X-XX.X-XXXX-XXX-M-T01-H-XX-XM

NOTES:

1. Other diameters, connections are available, please contact factory for details.